

# R3

The R-Series LED pathlights are durable fixtures made from brass and copper. They are ideal for walkway and area lighting in any landscape theme and location.



**Wildlife Lighting  
Certification Number  
2018-029**

**Construction** All brass components. 1/2" schedule 40 brass stem. 18-gauge copper shade, underside powdercoated white.

**Lens** Frosted borosilicate glass, 4.8mm wall thickness

**Stem Height** 12 inches is standard. Custom heights upon request

<input type="checkbox"/> 2	2" [5 cm]
<input type="checkbox"/> 8	8" [20 cm]
<input type="checkbox"/> 12	12" [30 cm]
<input type="checkbox"/> 16	16" [40 cm]
<input type="checkbox"/> 20	20" [51 cm]

**Voltage / Lamp Options**

- 12V** GU5.3 MR16 LED • Remote transformer required.
- Cree chip  **5W-A** 5 Watt **AMBER** (1500K)
- Triple LED Module • Remote transformer required.
- Cree XPE2 chip  **7W-A** 7 Watt **AMBER** (1500K)
- 8W-RO** 8 Watt **RED-ORANGE** (1000K)

- 120V / 230V** GU10 MR16 LED
- Cree chip  **5W-A** 5 Watt **AMBER** (1500K)

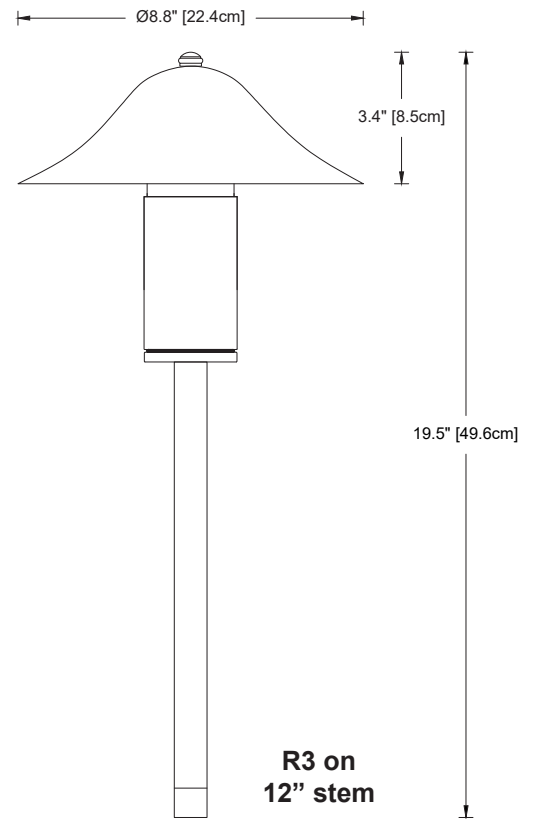
**Optical Accessory**  **HSR** Half shield for 180° illumination

- Mounting Accessories** 1/2" male threads. Mounts into any standard j-box or:
- BSB** Brass Surface Box for concrete or wood surface-mount applications
  - GS2** Heavy-duty ground spike
  - GS2BC** Heavy-duty ground spike with cast brass cap
  - GS3R** Heavy-duty ground spike with brass cap for telescoping riser
  - GS4** Standard ground spike with cast brass cap (12V only)
  - JB** Cast brass junction box

**Finish:** Unfinished is standard; no specification required. The fixture will weather to a natural patina. The patina process is natural with brass and copper. Rate of patina and eventual color is dependent upon climate and proximity to the ocean. Thus, Beachside does not guarantee any specific appearance.

**Weight:** 3.7 lbs [1.7 kg] with 12" stem

IP66  
CSA Listed, file #190030  
10 year fixture warranty  
3 year warranty on MR16 LED lamps  
3 year LED module warranty



**R3 - Horizontal Footcandles at Radius from Fixture base with Standard 12" Stem Height**

Lamp	1' / 0.3m	2' / 0.6m	3' / 0.9m	4' / 1.2m	5' / 1.5m	6' / 1.8m	7' / 2.1m	8' / 2.4m	9' / 2.7m	10' / 3.0m
<b>5W-A</b>	1.73	0.72	0.37	0.24	0.18	0.13	0.10	0.07	0.05	0.04

Project	By	Date
For ordering purposes, please specify (example: <b>R3-120V-12-5W-A-HSR-GS2</b> )		
<b>R3</b>	—	—
Fixture	Voltage	Stem Height
—	—	—
Lamp	—	Accessory(ies)

# R-003

The R-00x Series pathlights are durable low-voltage fixtures made from brass and copper. They are ideal for walkway and area lighting in any landscape theme and location.



**Wildlife Lighting  
Certification Number  
2018-029**

**Construction** All brass components. 1/2" schedule 40 brass stem. 18-gauge copper shade, underside powdercoated white.

**Lens** Tempered, frosted glass

**Stem Height** 12 inches is standard. Custom heights upon request

- 2** 2" [5 cm]
- 8** 8" [20 cm]
- 12** 12" [30 cm]
- 16** 16" [40 cm]
- 20** 20" [51 cm]

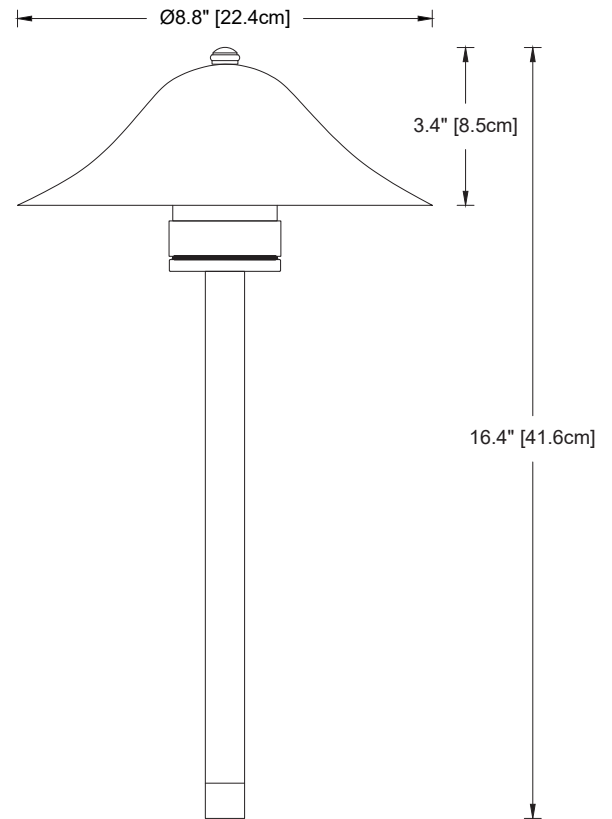
**Lamps** G4 bi-pin LED

- 2W-A-G4** 2 Watt **AMBER** (1500K)

**Optical Accessory**  **HSR** Half shield for 180° illumination

**Mounting Accessories** 1/2" male threads. Mounts into any standard j-box or:

- BSB** Brass Surface Box for concrete or wood surface-mount applications
- GS2** Heavy-duty ground spike
- GS2BC** Heavy-duty ground spike with cast brass cap
- GS3R** Heavy-duty ground spike with brass cap for telescoping riser
- GS4** Standard ground spike with cast brass cap
- JB** Cast brass junction box



**R-003 on  
12" stem**

**Weight:** 3.1 lbs / 1.4 kg

IP66  
CSA Listed, File # 190030  
10 year fixture warranty



Certified by DarkSky.org



Project	By	Date
For ordering purposes, please specify (example: <b>R-003—12—2W-A-G4—HSR—GS2</b> )		
<b>R-003</b>	—	—
Fixture	Stem Height	Accessory(ies)