

# R8-SQMOD

The R-Series LED pathlights are durable fixtures made from brass and copper. They are ideal for walkway and area lighting in any landscape theme and location.

**Construction** All brass components. 1/2" schedule 40 brass stem. 18-gauge copper shade, underside powdercoated white.

**Lens** Frosted borosilicate glass, 4.8mm wall thickness

**Stem Height** 12 inches is standard. Custom heights upon request

<input type="checkbox"/> <b>2</b>	2" [5 cm]
<input type="checkbox"/> <b>8</b>	8" [20 cm]
<input type="checkbox"/> <b>12</b>	12" [30 cm]
<input type="checkbox"/> <b>16</b>	16" [40 cm]
<input type="checkbox"/> <b>20</b>	20" [51 cm]

## Voltage / Lamp Options

**12V** GU5.3 • MR16 LED • Remote transformer required.

Cree	<input type="checkbox"/> <b>5W-A</b>	5 Watt <b>AMBER</b> (1500K) <i>TURTLE FRIENDLY</i>
Cree	<input type="checkbox"/> <b>5W</b>	5 Watt Warm White (3000K)
Lumiled chip	<input type="checkbox"/> <b>7W</b>	7 Watt Warm White (3000K)
Soraa chip	<input type="checkbox"/> <b>8W</b>	8 Watt Warm White (3000K)

Triple LED Module • Remote transformer required.

Cree XPE2 chip	<input type="checkbox"/> <b>7W-A</b>	7 Watt <b>AMBER</b> (1500K) <i>TURTLE FRIENDLY</i>
	<input type="checkbox"/> <b>8W-RO</b>	8 Watt <b>RED-ORANGE</b> (1000K) <i>TURTLE FRIENDLY</i>

Cree XPG2 chip	<input type="checkbox"/> <b>11W</b>	11 Watt Warm White (3000K)*
----------------	-------------------------------------	-----------------------------

\* Also available in 2700K. Add color suffix to lamp specification, e.g. "11W-2700K"

**120V / 230V** GU10 • MR16 LED

Cree chip	<input type="checkbox"/> <b>5W-A</b>	5 Watt <b>AMBER</b> (1500K) <i>TURTLE FRIENDLY</i>
Soraa chip	<input type="checkbox"/> <b>8W</b>	8 Watt Warm White (3000K)

**Optical Accessory**  **HSR** Half shield for 180° illumination

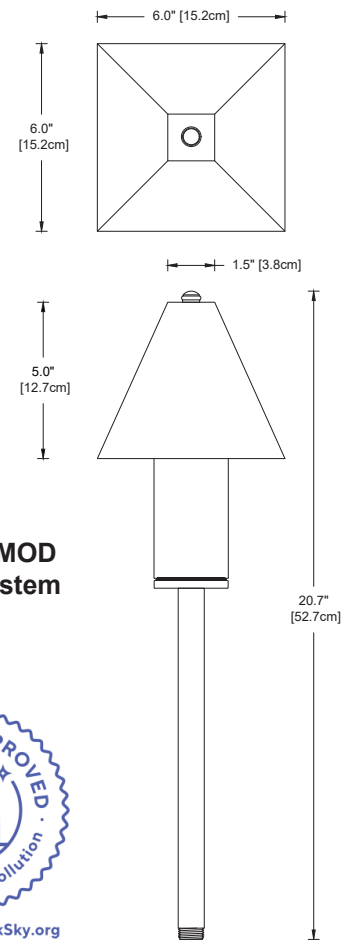
**Mounting Accessories** 1/2" male threads. Mounts into any standard j-box or:

<input type="checkbox"/> <b>BSB</b>	Brass Surface Box for concrete or wood surface-mount applications
<input type="checkbox"/> <b>GS2</b>	Heavy-duty ground spike
<input type="checkbox"/> <b>GS2BC</b>	Heavy-duty ground spike with cast brass cap
<input type="checkbox"/> <b>GS3R</b>	Heavy-duty ground spike with brass cap for telescoping riser
<input type="checkbox"/> <b>GS4</b>	Standard ground spike with cast brass cap (12V only)
<input type="checkbox"/> <b>JB</b>	Cast brass junction box

**Finish:** Unfinished is standard; no specification required. The fixture will weather to a natural patina. The patina process is natural with brass and copper. Rate of patina and eventual color is dependent upon climate and proximity to the ocean. Thus, Beachside does not guarantee any specific appearance.

**Weight:** 3.7 lbs [1.7 kg] with 12" stem

IP66  
CSA Listed, file #190030  
10 year fixture warranty  
3 year warranty on MR16 LED lamps  
3 year LED module warranty



**R8-SQMOD on 12" stem**

Project _____		By _____		Date _____	
For ordering purposes, please specify (example: <b>R8-SQMOD-120V-12-5W-A-HSR-GS2</b> )					
<b>R8-SQMOD-</b>	_____	_____	_____	_____	_____
Fixture	Voltage	Stem Height	Lamp	Accessory(ies)	