

RP

The RP is a low-profile, brass, surface-mount fixture for wood or concrete installation that utilizes a cage design for protection. It is ideal for high-traffic locations such as resorts, golf courses, and similar applications where there is risk of contact from lawnmowers, golf carts, etc., as well as anywhere vandalism is a concern.

Construction All brass components.

Lens Tempered, frosted, soda lime glass

Mounting Internal solid brass collar surface-mounts onto wood using stainless steel lag screws (included) or onto concrete using concrete lag shields (also included). Brass base fits over collar and is secured by stainless steel set screws.

12V Lamps G4 bi-pin LED • Remote transformer required

- __ **4W-A-G4** 4 Watt **AMBER** (1500K)
- __ **3W-G4** 3 Watt Warm White, 2800K (200 lm)
- __ **4W-G4** 4 Watt Warm White, 2800K (280 lm)

120V Lamps G9 LED

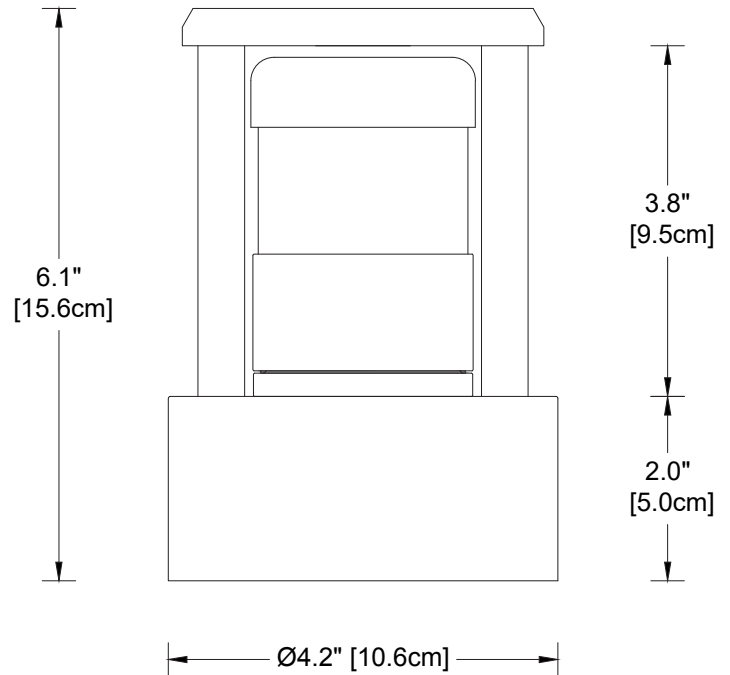
- __ **3W-A-G9** 3 Watt **AMBER**, 598nm (65 lm)
- __ **4W-G9-27** 4 Watt Warm White, 2700K (450 lm)
- __ **4W-G9-30** 4 Watt Warm White, 3000K (450 lm)

Optical Accessory __ **HS1** Half shield for 180° illumination

Finish: Unfinished is standard; no specification required. The fixture will weather to a natural patina. The patina process is natural with brass and copper. Rate of patina and eventual color is dependent upon climate and proximity to the ocean. Thus, Beachside does not guarantee any specific appearance.



Ø3.9" [9.8cm]



Weight: 7 lbs / 3.2 kg

IP 67
10 year fixture warranty



| | | | |
|---|---------|------|-----------|
| Project | By | Date | |
| For ordering purposes, please specify (example: RP-12V-3W-G4-HS1) | | | |
| RP Fixture | Voltage | Lamp | Accessory |