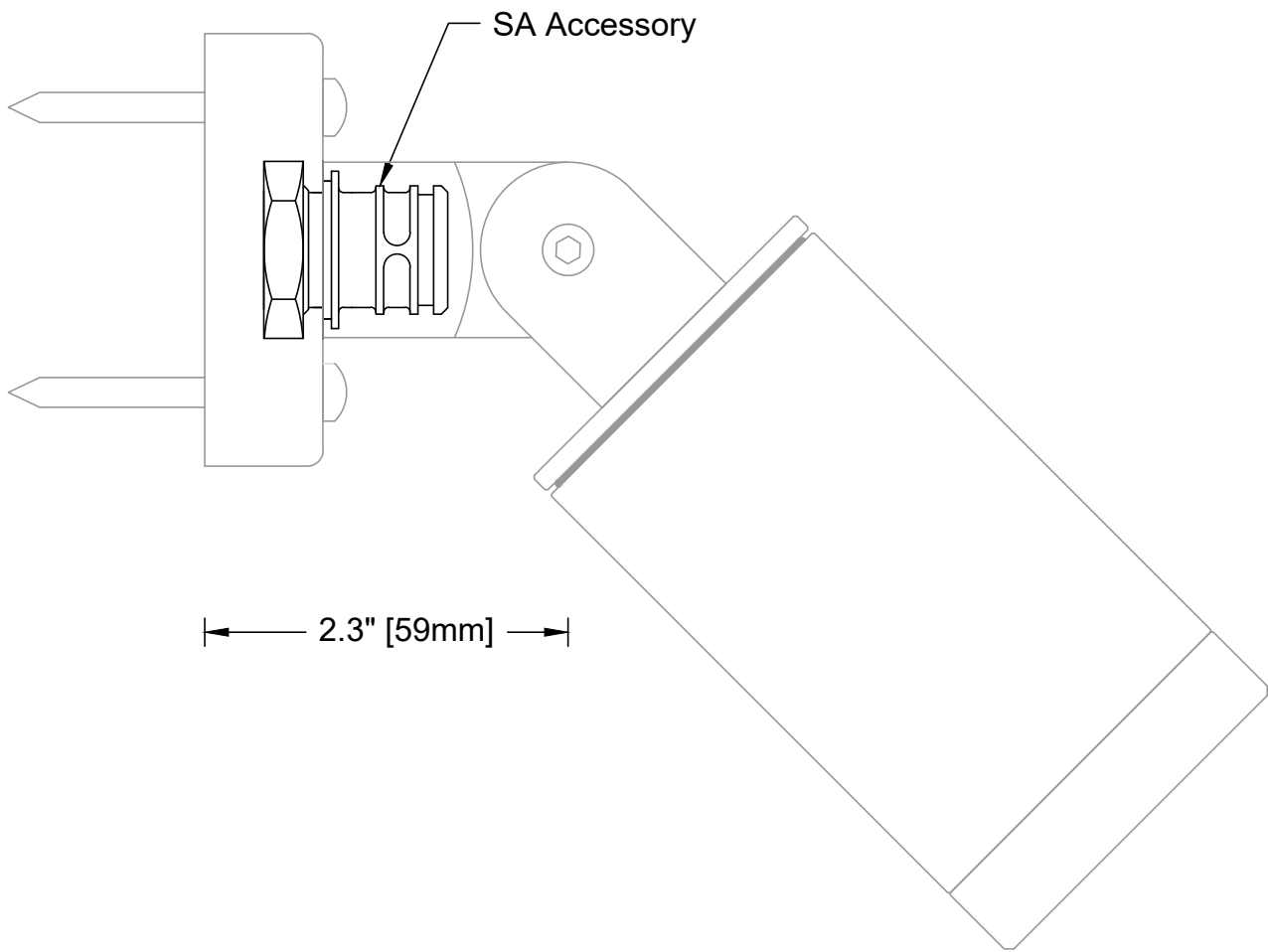
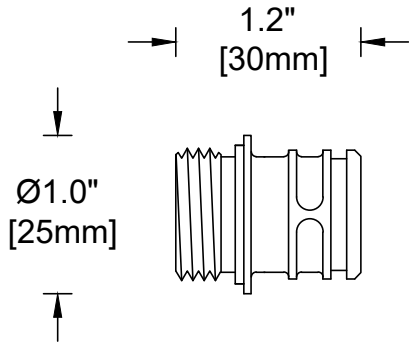
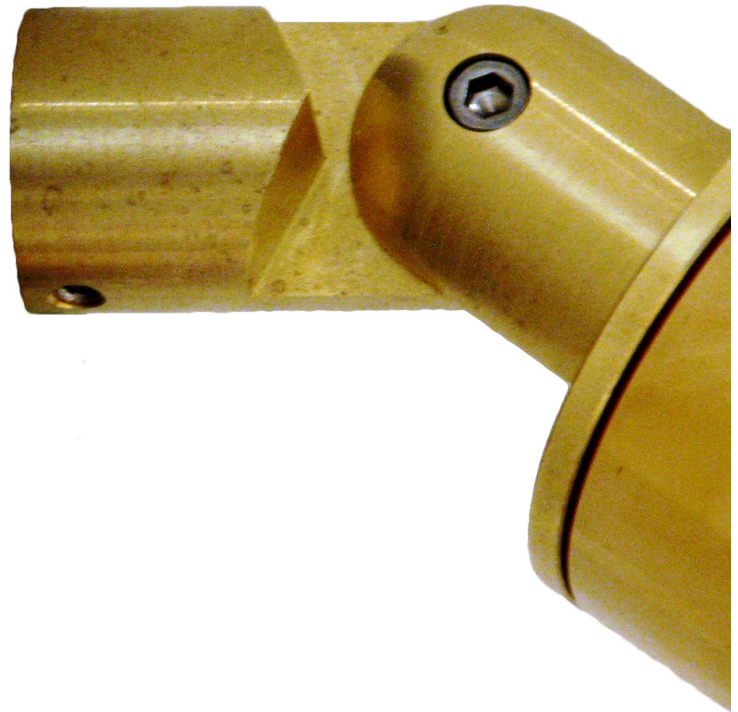


SA

The SA (Sure Aim) accessory allows 340° locking rotation of a fixture without the use of an external locknut. Machined from yellow brass, the SA mounts to a faceplate or canopy using 1/2" NPSM threads. For use with Beachside's E8, E16, and L-011 families of directional fixtures.



Project

By

Date