

SQ-3.5 / SQ1-3.5

The SQ-3.5 and SQ1-3.5 are square, two-part, solid brass canopies measuring 3.5 x 3.5" (8.9 x 8.9cm). The hidden back wall bracket has through holes at 2.75" (7cm) on center to line up with a standard 3.5" round or octagonal recessed junction box. The front square plate affixes to the wall bracket via set screws through the side of the canopy and low-profile button head screws on the top and bottom, eliminating the need for any visible, front-facing fasteners.

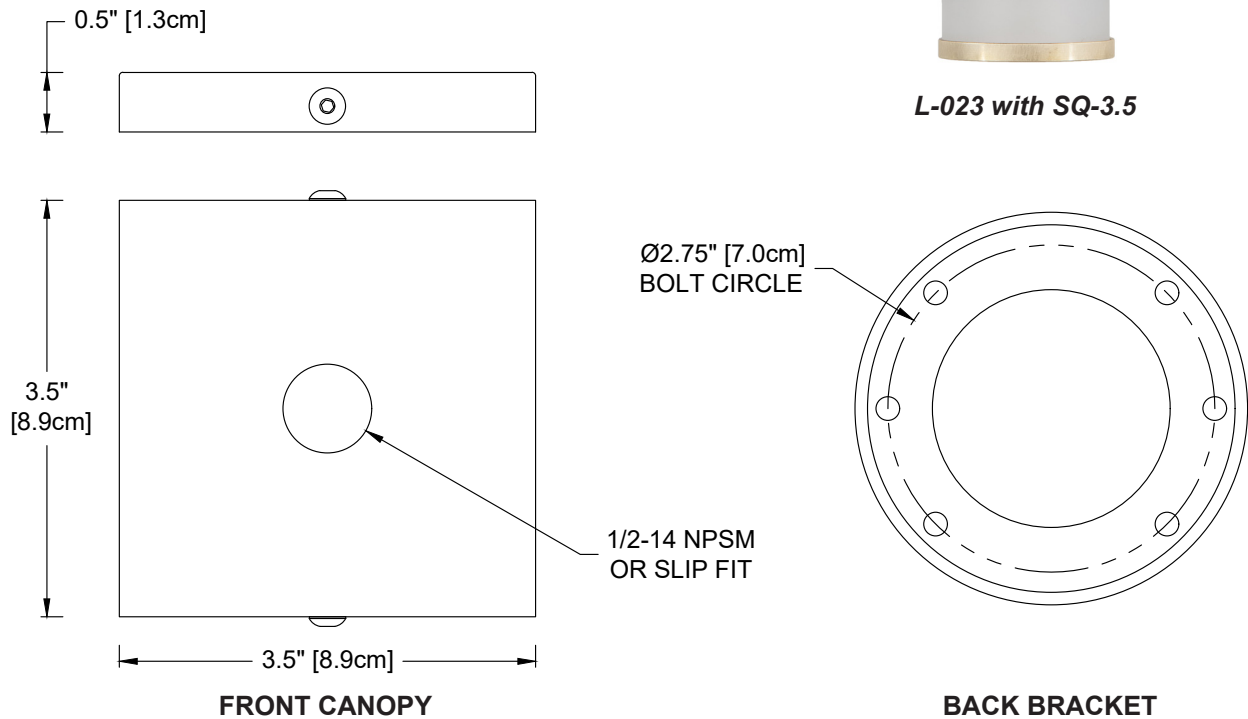
- **SQ-3.5** Square canopy with slip fitting, for use with any Beachside fixture using a straight arm, including L-013-S, L-014-S, L-023, and L-024 models.
- **SQ1-3.5** Square canopy with 1/2" NPSM female thread, for use with any Beachside fixture using standard knuckle or SA accessory, including E8 and L-011 series fixtures.



SQ1-3.5



L-023 with SQ-3.5



Project _____	By _____	Date _____
SQ-3.5 / SQ1-3.5 Accessory (circle one)		