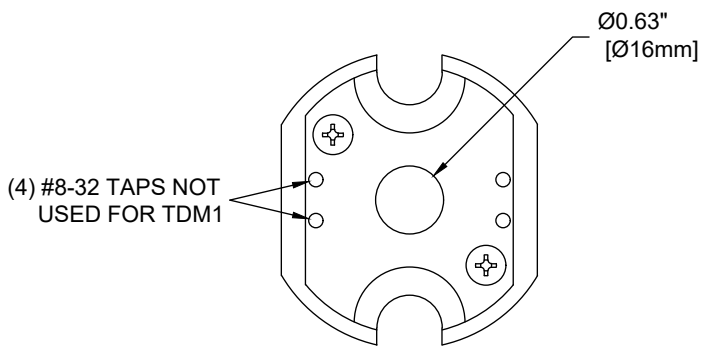
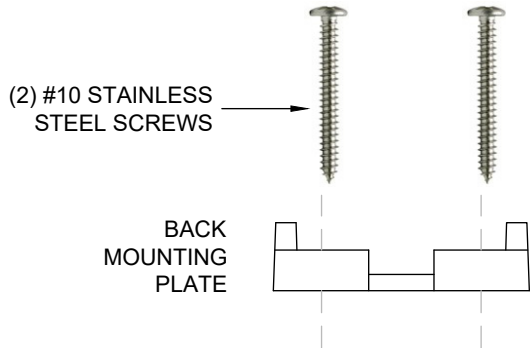
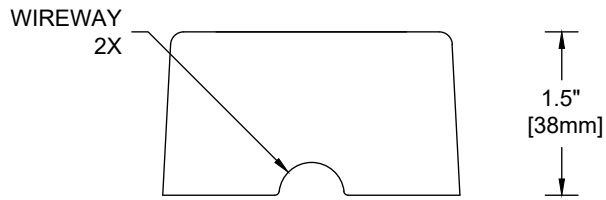
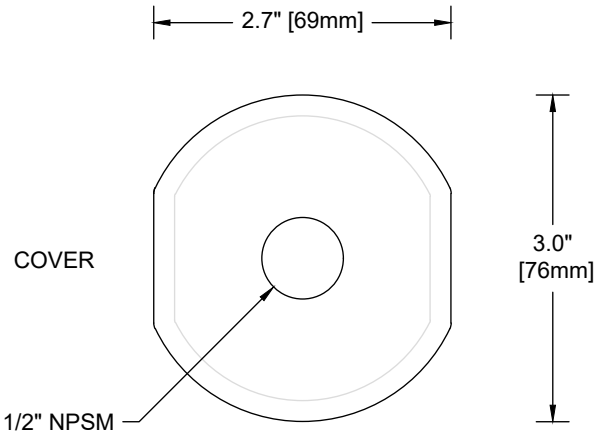


TDM1

The TDM1 is a two-piece, cast brass tree/deck mount with two #10 x 1-1/2" long stainless steel screws for mounting. Wireways accommodate direct burial wire. Internal volume allows for splicing.



Project _____	By _____	Date _____
TDM1 Accessory		