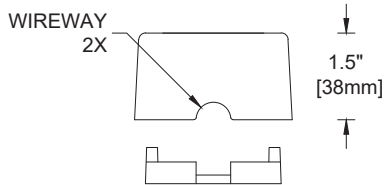
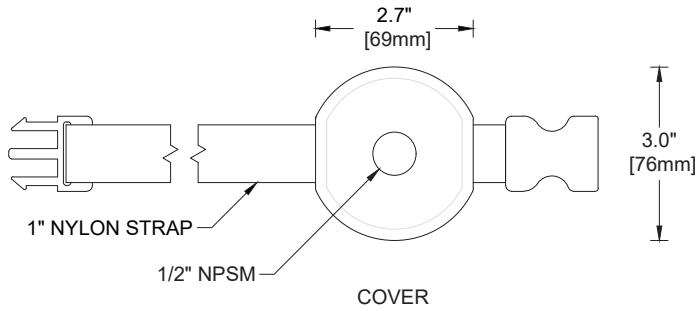


TDM2 / TDM2-SS / TDM2-MULT-SS

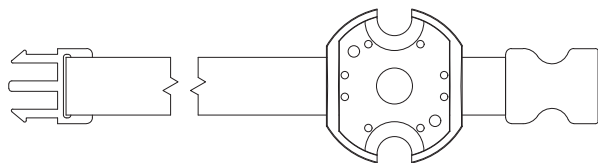
The TDM2 and TDM2-SS are two-piece, cast brass tree mounts that use Nylon or stainless steel straps for mounting. Wireways accommodate direct burial wire. Internal volume allows for splicing. "MULT" versions (on stainless strap only) can be slid laterally and locked in place on a single strap, allowing exact positioning regardless of trunk diameter.

- **TDM2** Brass tree mount with Nylon strap
- **TDM2-SS** Brass tree mount with stainless steel strap & buckle

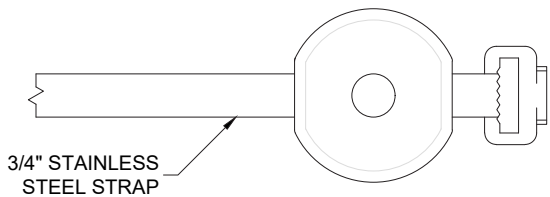
- Strap Length**
- 48 in / 122 cm
 - 72 in / 183 cm
 - 96 in / 244 cm



BACK MOUNTING PLATE

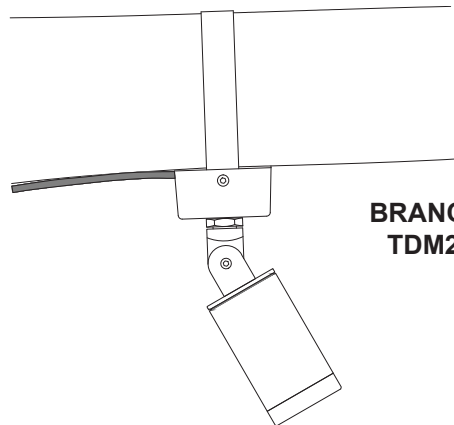


TDM2-SS

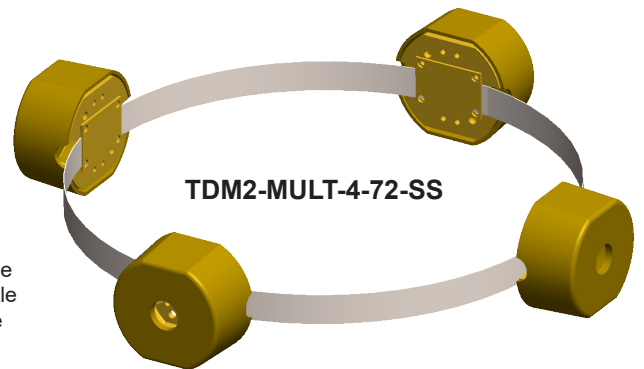


- **TDM2-MULT-2-72-SS** Two TDM2s with backing plates, 72" stainless steel strap & buckle
- **TDM2-MULT-4-72-SS** Four TDM2s with backing plates, 72" stainless steel strap & buckle
- **TDM2-MULT-6-72-SS** Six TDM2s with backing plates, 72" stainless steel strap & buckle

* TDM2s are repositionable and wireways are aligned with strap when used with backing plates.



**BRANCH-MOUNTED
TDM2 WITH L-011**



TDM2-MULT-4-72-SS

Project _____	By _____	Date _____
For ordering purposes, please specify (examples: TDM2-48 , TDM2-SS-96 , TDM2-MULT-4-72-SS)		
TDM2	—	_____
Accessory		Version Designation and/or Strap Length