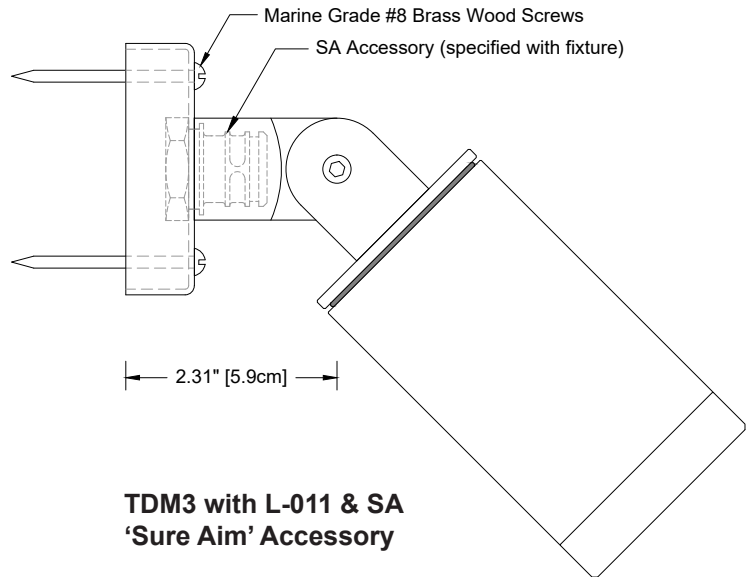
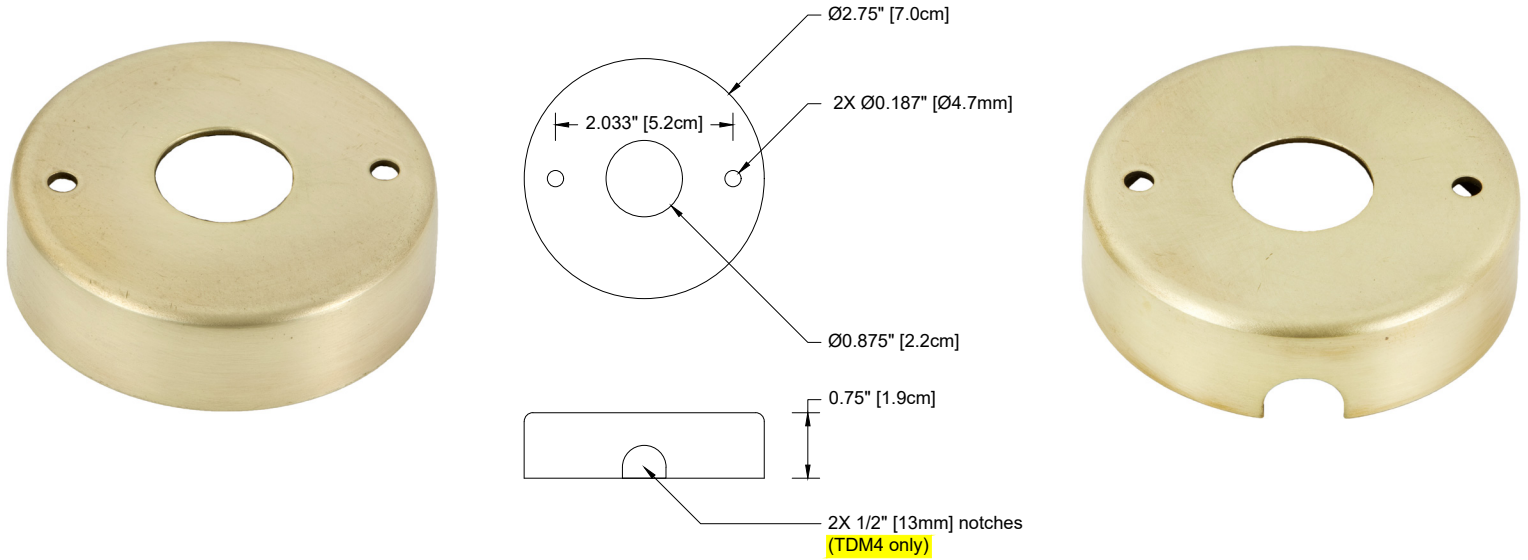


TDM3

TDM4

The TDM3 and TDM4 are tree/deck mount canopies made from 0.063" [1.6mm] thick spun yellow brass for Beachside's 12-Volt E8, E16, & L-011 monopoint directional fixtures. They attach to wood or masonry mounting surfaces with the included corrosion-resistant #8 x 2" long brass wood screws (masonry anchors not included). Fixtures are secured to the TDM3/4 using a brass locknut (supplied with the fixture) or hanging hardware. Specification of the SA rotation accessory with the fixture is required. The TDM3/4 are for directional fixtures with a knuckle and will not work with fixed-arm luminaires. The TDM4 is identical to the TDM3 except for the addition of two 1/2" semicircular notches provided for surface-mounted lead wires.

TDM3, TDM4: Mounts for directional fixtures with knuckle. Use of SA accessory is recommended for directionals. 12V only.
TDM3-HANG, TDM4-HANG: Mounts for hanging fixtures. Includes bushing and locknut. 12V only.



FINISH: Unfinished is standard; no specification required. The fixture will weather to a natural patina. The patina process is natural with brass and copper. Rate of patina and eventual color is dependent upon climate and proximity to the ocean. Thus, Beachside does not guarantee any specific appearance.

Project _____	By _____	Date _____
---------------	----------	------------