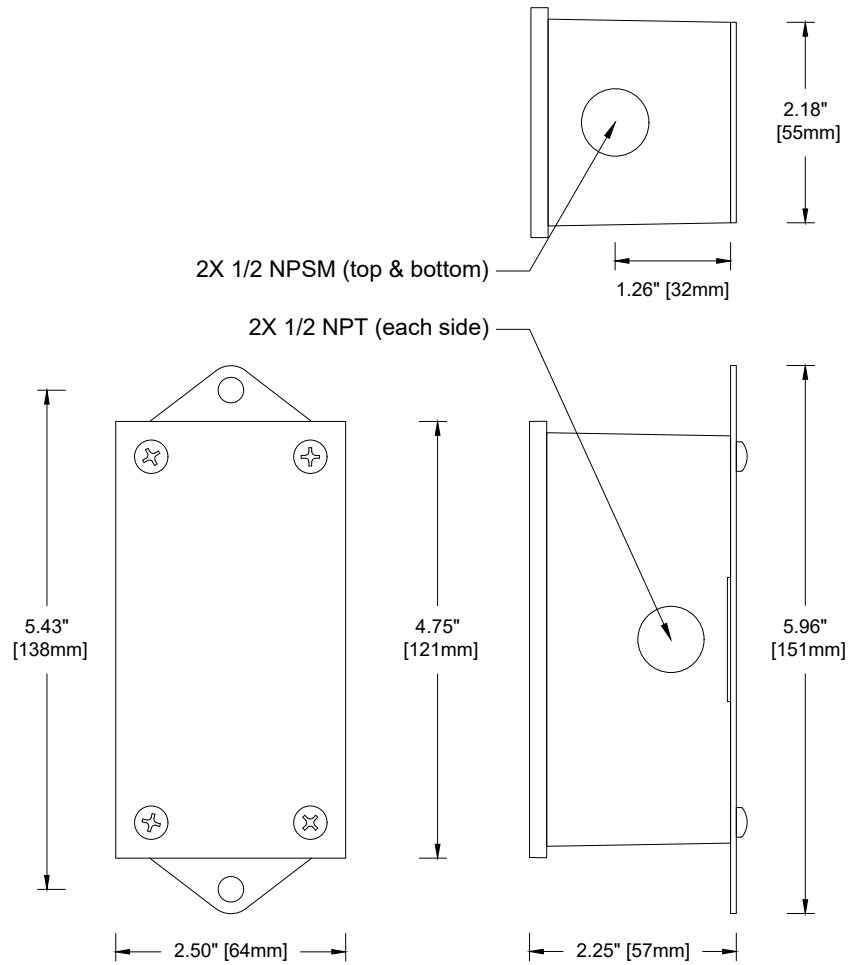


VTM

The VTM is a brass junction box that can be mounted individually or as part of Beachside's VTM-PALM tree strap assembly. Accepts one or two 1/2"-threaded fixtures (one on top for uplighting, one on bottom for downlighting) such as Beachside's L-011 or E16 directionals and has two 1/2" taps, one on either side, for conduit or cordgrip. Supplied with two #14 x 1-1/2" stainless steel machine screws for mounting.



Project	By	Date
VTM Accessory		