

Z1

The Z1 pathlight is a small, unobtrusive, brass fixture with a copper shade. Its compact size is ideal for walkway and area lighting in any landscape theme and location.

Construction All brass components. 1/8" [3mm] thick brass housing. 1/2" schedule 40 brass stem. 18 gauge copper shade; underside powdercoated white.

Lens Frosted Borosilicate glass, 4.8mm wall thickness.

Voltage 12 Volts AC with integral driver (9 - 15V input, dimmable below 9V). Remote transformer required.

Stem Height Custom stem heights are available upon request. Standard stem heights:

<input type="checkbox"/> 8	8" [20 cm]
<input type="checkbox"/> 12	12" [30 cm]
<input type="checkbox"/> 16	16" [40 cm]
<input type="checkbox"/> 20	20" [51 cm]

Lamps Triac dimmable: MLV > 6% typ., ELV > 16% typ.

Cree XPE2 LED **2W-A** 2 Watt **AMBER** (1500K)
 2W-RO 2 Watt **RED-ORANGE** (1000K)

Cree XPG2 LED **3W** 3 Watt Warm White (3000K)* 14 cd 66 lm
 4W 4 Watt Warm White (3000K)* 18 cd 86 lm

*Also available in 2700K. Add color suffix to lamp specification, e.g. "3W-2700K"

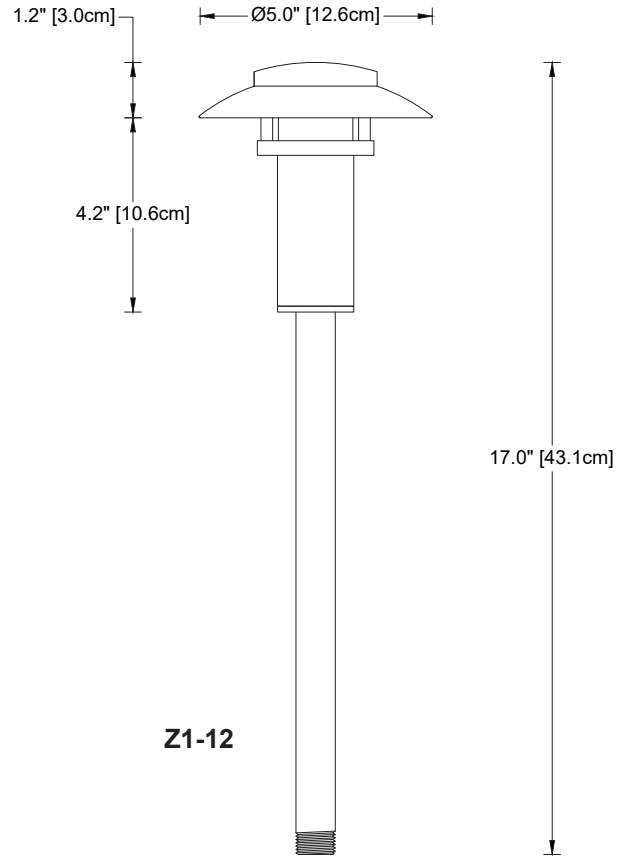
Photometric results obtained with a 12-inch high stem.

Mounting Accessories 1/2" male threads. Mounts into any standard j-box or:

- GS2** Heavy-duty ground spike
- GS2BC** Heavy-duty ground spike with cast brass cap
- GS3R** Heavy-duty ground spike with brass cap for telescoping fixture riser
- GS4** Standard ground spike with cast brass cap
- JB** Cast brass junction box

Optical Accessory **HSZ** Half shield for 180° illumination

Finish: Unfinished is standard; no specification required. The fixture will weather to a natural patina. The patina process is natural with brass and copper. Rate of patina and eventual color is dependent upon climate and proximity to the ocean. Thus, Beachside does not guarantee any specific appearance.



Z1-12

IP 66
 CSA Listed, file #190030
 10 year fixture warranty
 5 year Cree LED module warranty



SUITABLE FOR
 INDOOR AND
 OUTDOOR USE

Lamp	Horizontal Footcandles at Radius from Fixture with Standard 12" Stem Height									
	1ft / .3m	2ft / .6m	3ft / .9m	4ft / 1.2m	5ft / 1.5m	6ft / 1.8m	7ft / 2.1m	8ft / 2.4m	9ft / 2.7m	10ft / 3.0m
2W-A	1.75	0.74	0.42	0.28	0.21	0.18	0.15	0.12	0.09	0.08
3W	4.79	2.11	1.16	0.75	0.54	0.45	0.32	0.24	0.18	0.14
4W	6.11	2.56	1.42	0.91	0.65	0.47	0.35	0.27	0.21	0.17

Project	By	Date
For ordering purposes, please specify (example: Z1-12-3W-GS2-HSZ)		
Z1	—	—
Fixture	Stem Height	Accessory(ies)